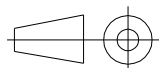
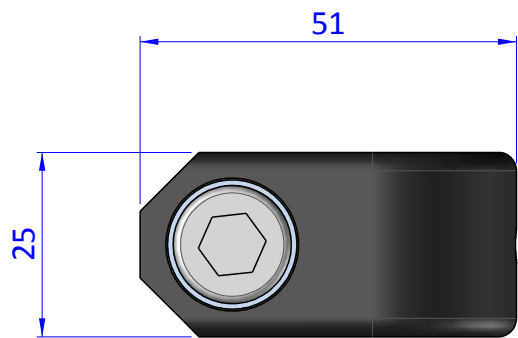
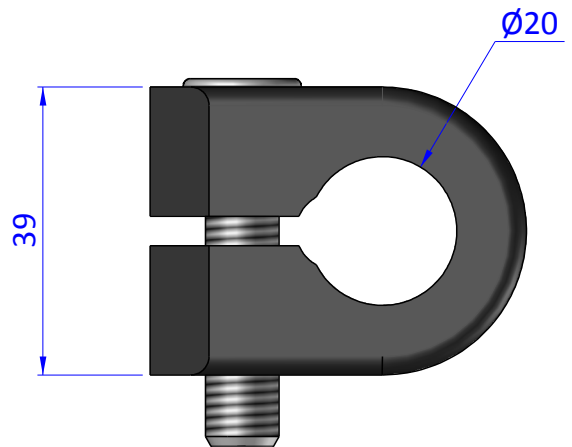
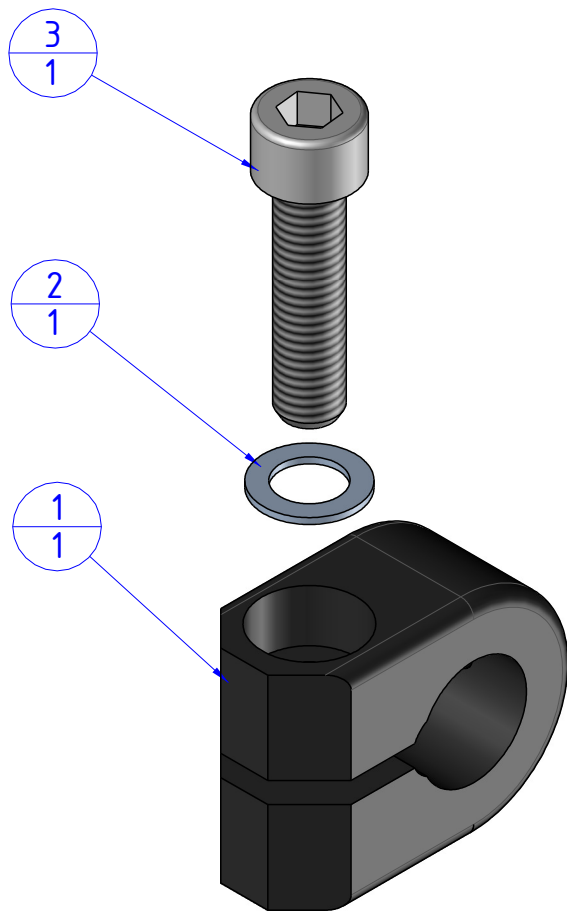


THE PROPERTY OF THE DRAWING IS ESTABLISHED BY LAW. IT IS FORBIDDEN TO PRODUCE OR SHOW IT TO THIRD PART. WITHOUT A WRITTEN AGREEMENT.

Item	Name	Q.ty
1	HAR.20	1
2	R.10.SCH	1
3	V.TCE10x40	1



Format A4
UNI 936-76

GENERAL TOLERANCE
UNI - ISO 2768
CLASSE f

DESCRIPTION
CA.HAR.20

DESIGNED FROM FP SERVICES		REVIEW A
DATE 31/10/2018	WEIGHT 0,113kg	
CODE CA.HAR.20		